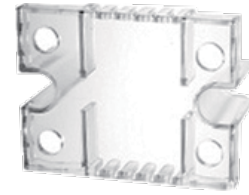


Product Data Sheet

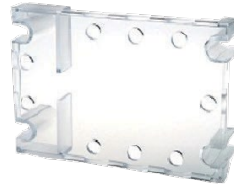
- MSR-C100 Suitable for MSR-SI
Single Phase Relay
- MSR-C110 Suitable for MSR-SQ
Three Phase Relay
- MSR-C120 Suitable for MSR-SIM
Single Phase
- Relay RoHS Compliant



MSR-C100

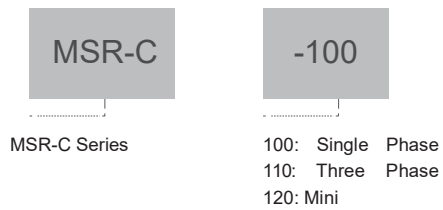


MSR-C120

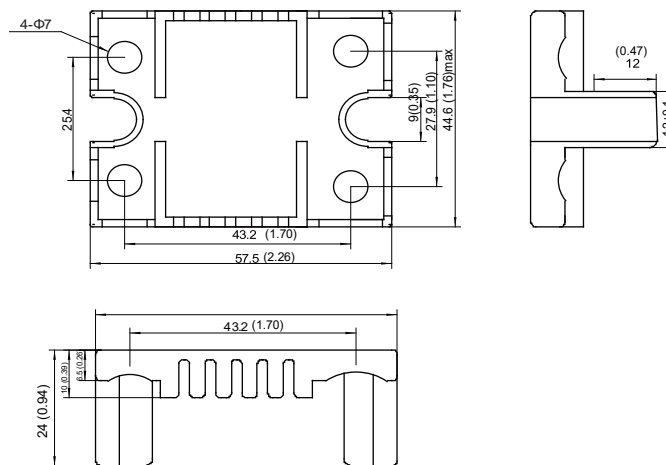


MSR-C110

Ordering Information

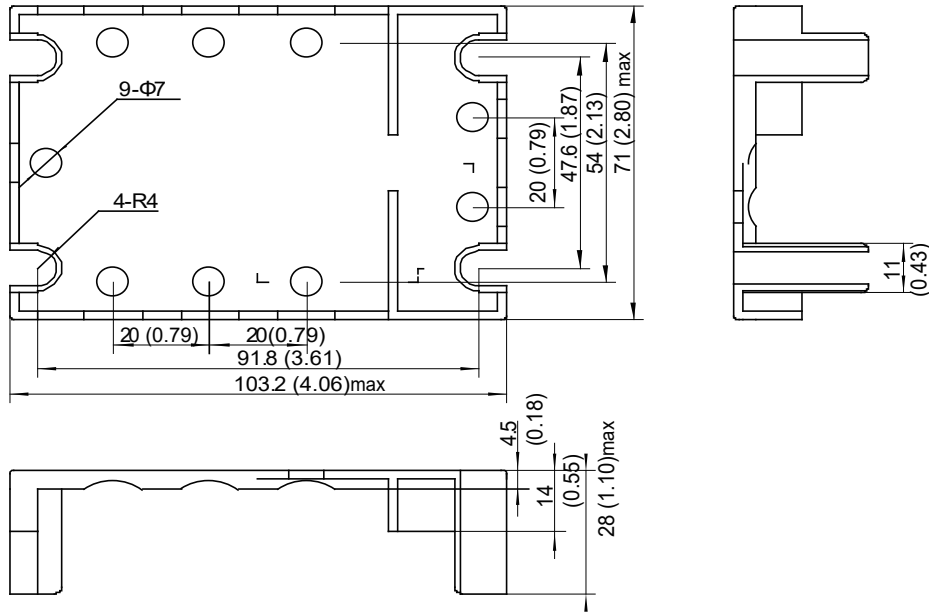


Outline Dimensions

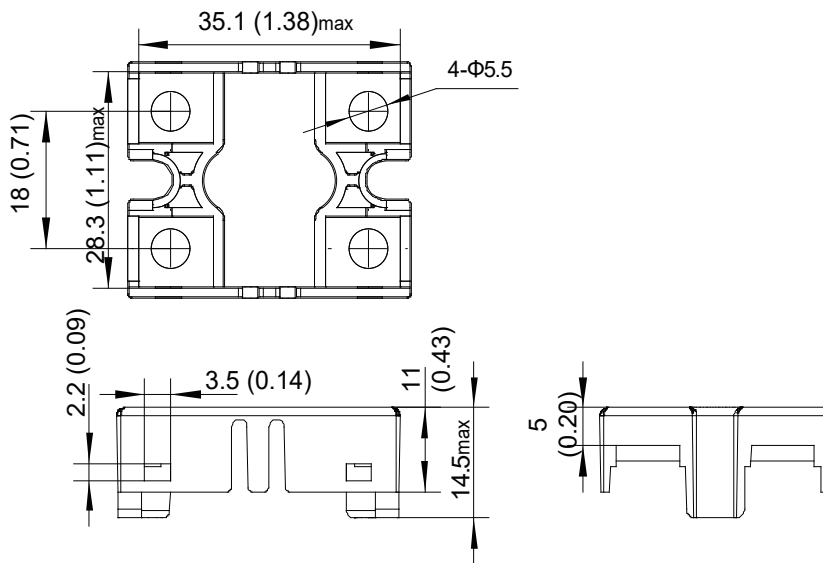


MSR-C100

Product Data Sheet



MSR-C110



MSR-C120

Agency Approvals (Certification)

