

## Product Data Sheet



- Material: Aluminum
- Din-rail Optional
- Fan Optional
- Customization Available

### Product Selection



Series  
A:A Series  
B:B Series  
C:C Series  
D:D Series  
E:E Series  
F:F Series  
G:G Series

Length  
32:32mm  
49:49mm  
50:50mm  
70:70mm  
76:76mm  
90:90mm  
110:110mm  
150:150mm



Accessory  
None: No  
Accessory  
F: Fan  
D: Din-rail  
B: Fan & Din-rail

Fan Voltage  
None: No Fan  
24DC:24VDC  
110AC:110VAC  
220AC:220VAC



### Product Selection

Heat Sink P/N	Dimension (mm)	Thermal Resistance (°C/W)	Suitable for SSR P/N
MSR-HSA32	32*80*50	2.8	MSR-SIM
MSR-HSA50	50*80*50	2.1	MSR-SI, MSR-SID
MSR-HSB70	70*50*69	1.9	MSR-SI, MSR-SID
MSR-HSB70-D	81*50*83	1.9	MSR-SI, MSR-SID
MSR-HSB90	90*50*69	1.7	MSR-SI, MSR-SID, MSR-SV
MSR-HSC49	49*100*80	1.7	MSR-SI, MSR-SID
MSR-HSC110	110*100*80	0.9	MSR-SI, MSR-SID, MSR-SQF
MSR-HSC110-F□□□	140*100*80	0.4	MSR-SI, MSR-SID, MSR-SQF
MSR-HSD50	50*106*96	1.6	MSR-SI, MSR-SID
MSR-HSD50-F□□□	80*106*96	0.6	MSR-SI, MSR-SID
MSR-HSD110	110*106*96	0.8	MSR-SI, MSR-SID, MSR-SQF
MSR-HSD110-F□□□	140*106*96	0.35	MSR-SI, MSR-SID, MSR-SQF
MSR-HSE76	76*123*67	1.5	MSR-SI, MSR-SID
MSR-HSF150	150*142*55	0.6	MSR-SI, MSR-SID, MSR-SQF
MSR-HSG150	150*125*135	0.4	MSR-SI, MSR-SID, MSR-SQF
MSR-HSG150-F□□□	193*125*135	0.15	MSR-SI, MSR-SID, MSR-SQF

### Detailed Data

Series	A Series		B Series
Photo			
Part Number	MSR-HSA32	MSR-HSA50	MSR-HSB70
Thermal Resistance (°C/W)	2.8	2.1	1.9
N.W. (g)	70	115	235
Outer Dimension (mm)	32*80*50	50*80*50	70*50*69
Suitable for	MSR-SIM	MSR-SI, MSR-SID	MSR-SI, MSR-SID

## Product Data Sheet

Series	B Series		C Series
Photo			
Part Number	MSR-HSB70-D	MSR-HSB90	MSR-HSC49
Thermal Resistance (°C/W)	1.9	1.7	1.7
N.W. (g)	290	390	255
Outer Dimension (mm)	81*50*83	90*50*69	49*100*80
Suitable for	MSR-SI, MSR-SID	ASR-SI, MSR-SID, MSR-SV	MSR-SI, MSR-SID
Series	C Series		D Series
Photo			
Part Number	MSR-HSC110	MSR-HSC110-F□□□	MSR-HSD50
Thermal Resistance (°C/W)	0.9	0.4	1.6
N.W. (g)	560	830	375
Outer Dimension (mm)	110*100*80	140*100*80	50*106*96
Suitable for	MSR-SI, MSR-SID, MSR-SQF	MSR-SI, MSR-SID, MSR-SQF	MSR-SI, MSR-SID

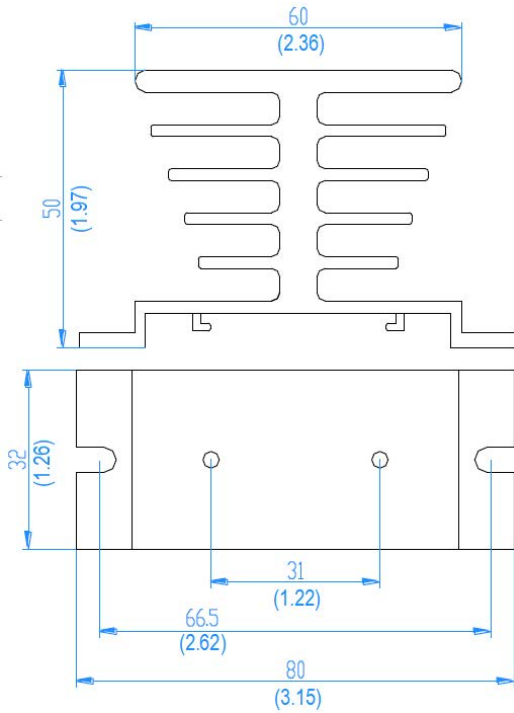
## Product Data Sheet

Series	D Series		
Photo			
Part Number	MSR-HSD50-F□□□	MSR-HSD110	MSR-HSD110-F□□□
Thermal Resistance (°C/W)	0.6	0.8	0.35
N.W. (g)	645	825	1095
Outer Dimension (mm)	80*106*96	110*106*96	140*106*96
Suitable for	MSR-SI, MSR-SID	MSR-SI, MSR-SID, MSR-SQF	MSR-SI, MSR-SID, MSR-SQF
Series	E Series	F Series	G Series
Photo			
Part Number	MSR-HSE76	MSR-HSF150	MSR-HSG150
Thermal Resistance (°C/W)	1.5	0.6	0.4
N.W. (g)	300	539	2320
Outer Dimension (mm)	76*123*67	150*142*55	150*125*135
Suitable for	MSR-SI, MSR-SID	MSR-SI, MSR-SID, MSR-SQF	MSR-SI, MSR-SID, MSR-SQF
Series	G Series		
Photo			
Part Number	MSR-HSG150-F□□□		
Thermal Resistance (°C/W)	0.15		
N.W. (g)	2590		
Outer Dimension (mm)	193*125*135		
Suitable for	MSR-SI, MSR-SID, MSR-SQF		

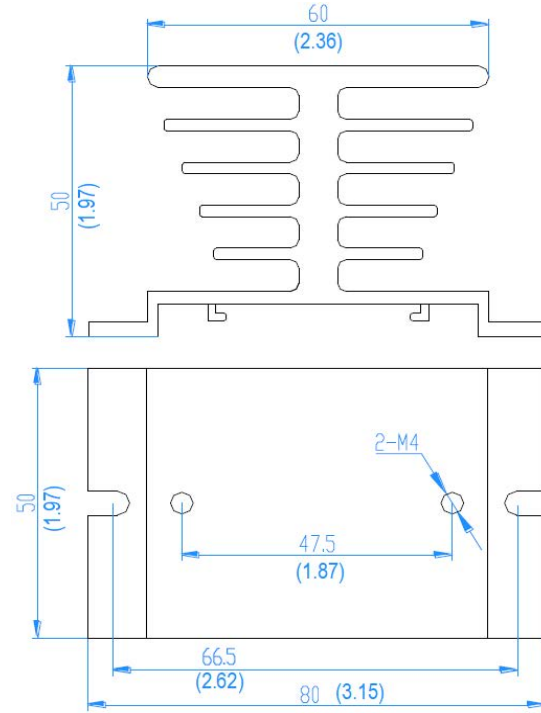
## Product Data Sheet

### A Series:

MSR-HSA32

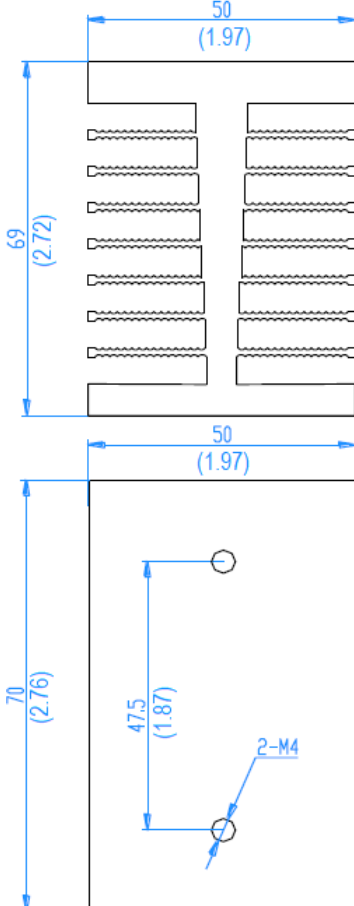


MSR-HSA50

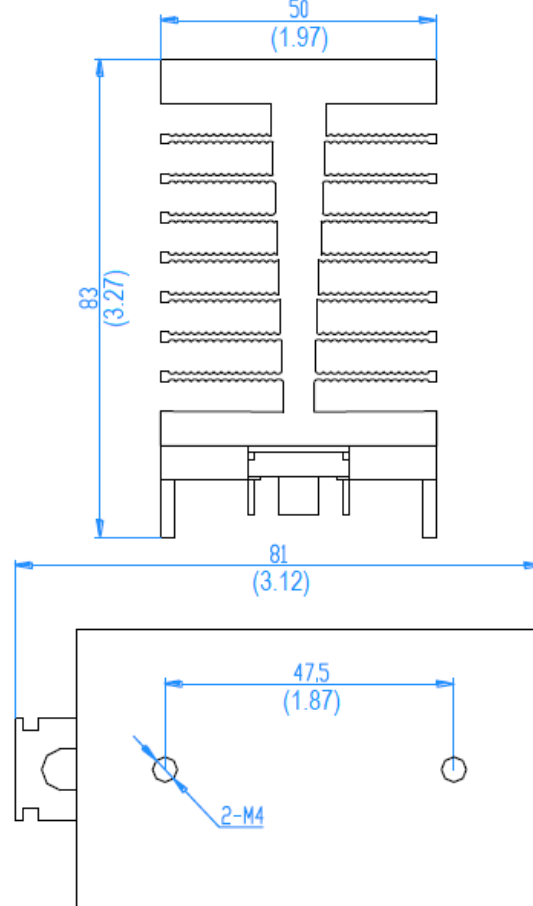


### B Series:

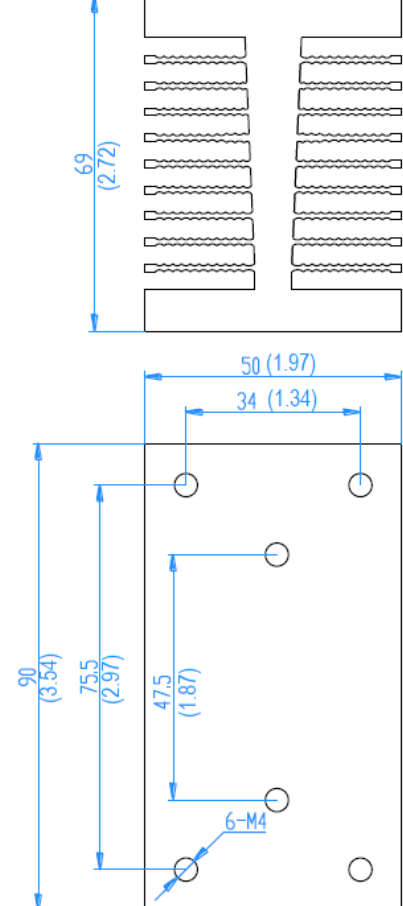
MSR-HSB70



MSR-HSB70-D

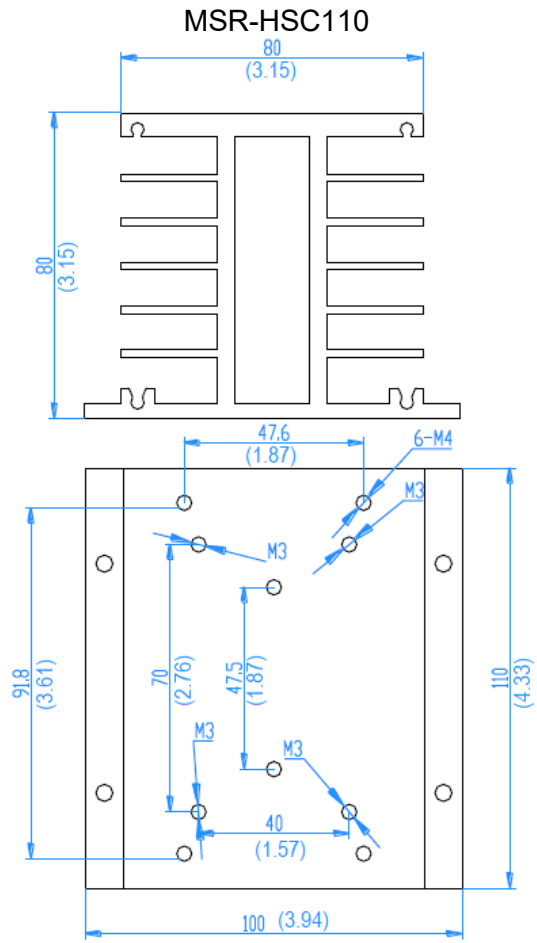
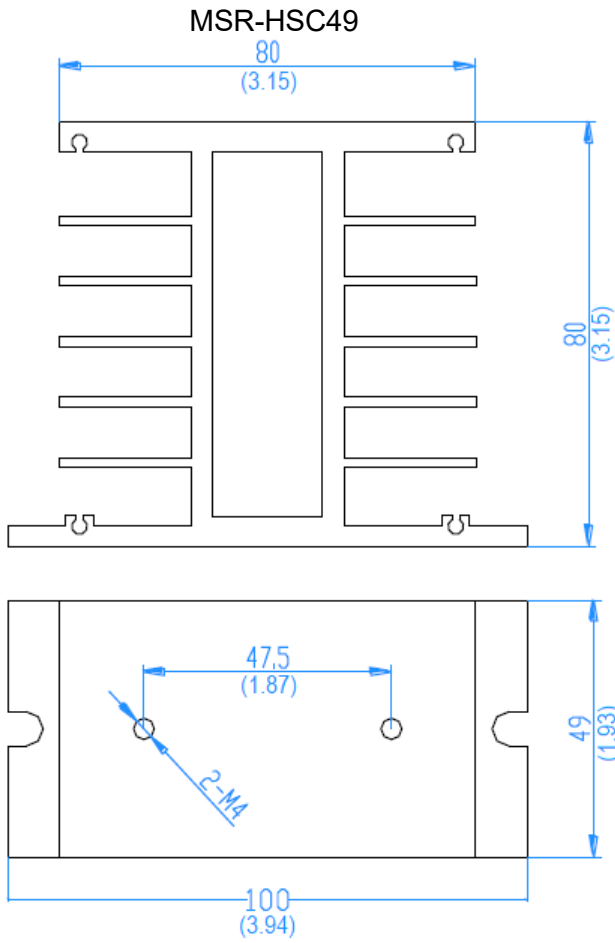


MSR-HSB90

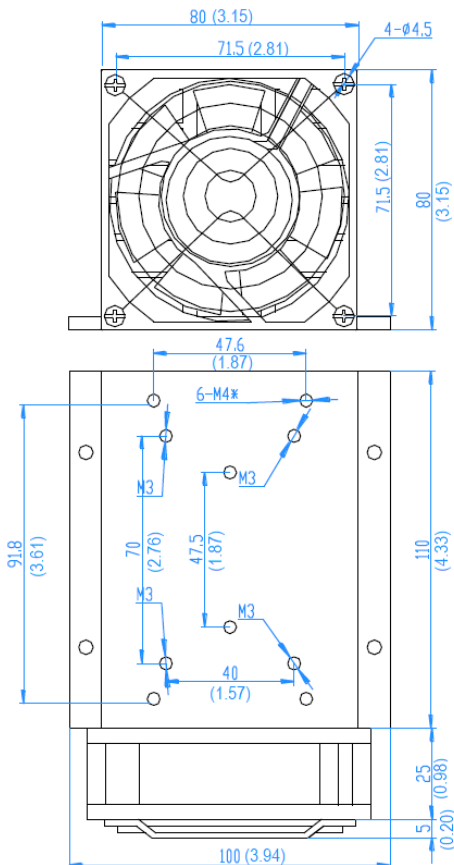


## Product Data Sheet

### C Series:



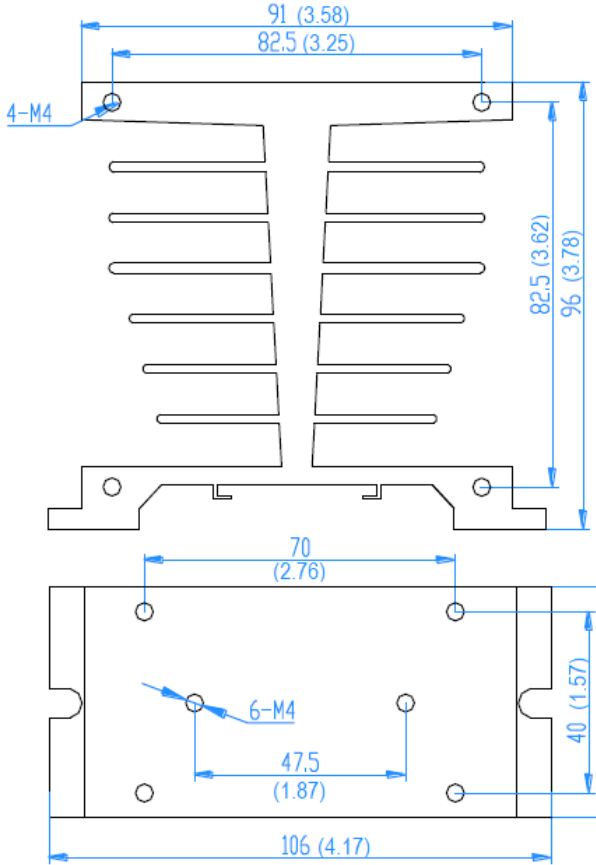
### MSR-HSC110-F□□□



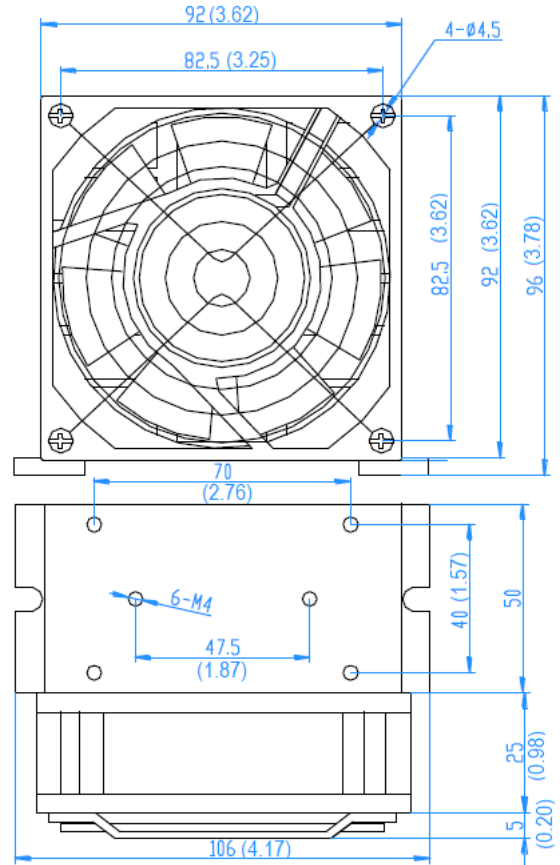
## Product Data Sheet

### D Series:

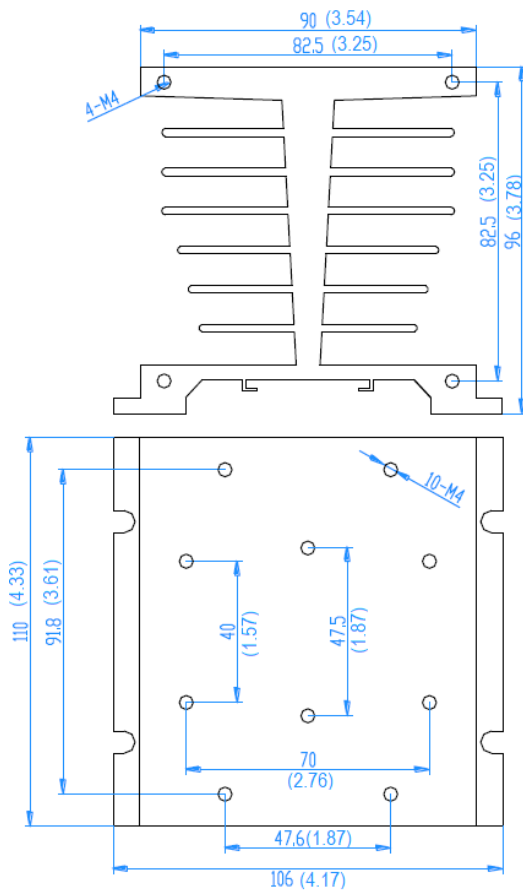
**MSR-HSD50**



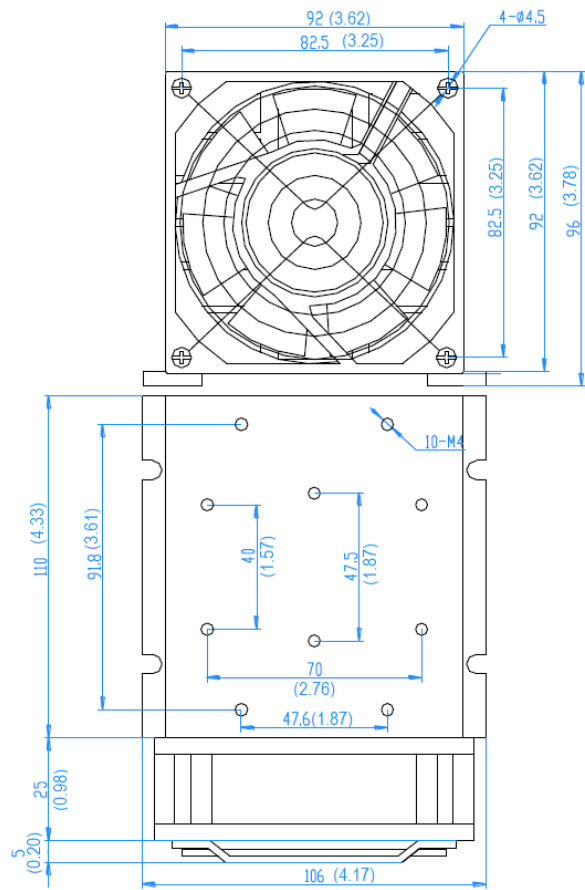
**MSR-HSD50-F□□□**



**MSR-HSD110**

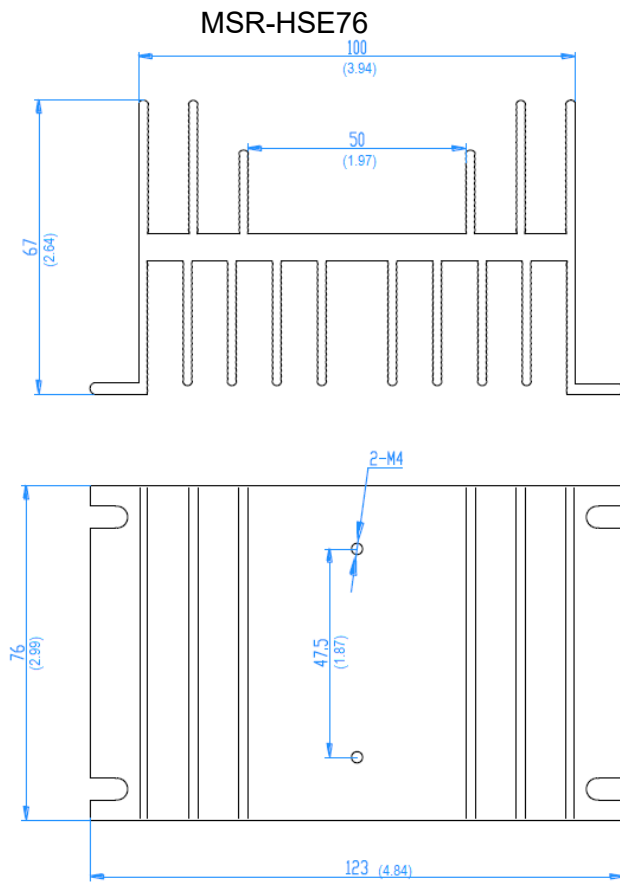


**MSR-HSD110-F□□□**

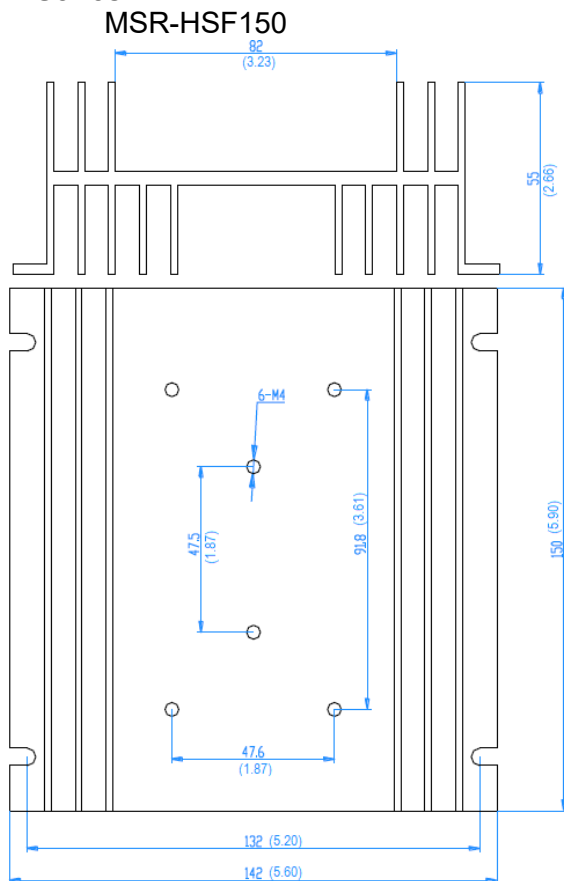


## Product Data Sheet

### E Series:



### F Series:



## Product Data Sheet

### G Series:

