

## TRANSFORMERS

### 75 VA Transformer MKT Series

#### Specifications

**Wire Size**

All leads are 18 AWG stranded  
2/64" insulation thickness

**Quick Connect Size**

Standard male quick connect terminals  
are .250" x .032"

**Frequency**

50/60 Hz

**Insulation System**

130°C Class B

**Unit Weight**

75 VA 40 oz



Mek-Tronics Class II transformers supply secondary voltages that are commonly utilized in various electronic, electro-magnetic and electrical control conditions. These include applications used with relays, solenoids, small motors, speed changers, pumps, heating elements, fans and blowers, electronic tubes, elevators, door openers and Thermostat control.

#### Features

- UL/CUL recognized 5085—File No. E528105
- Non-inherently limited
- Secondary fusing required
- Multiple mounting and termination options available, contact us for more information.

## TRANSFORMERS

### 75 VA Transformer MKT Series

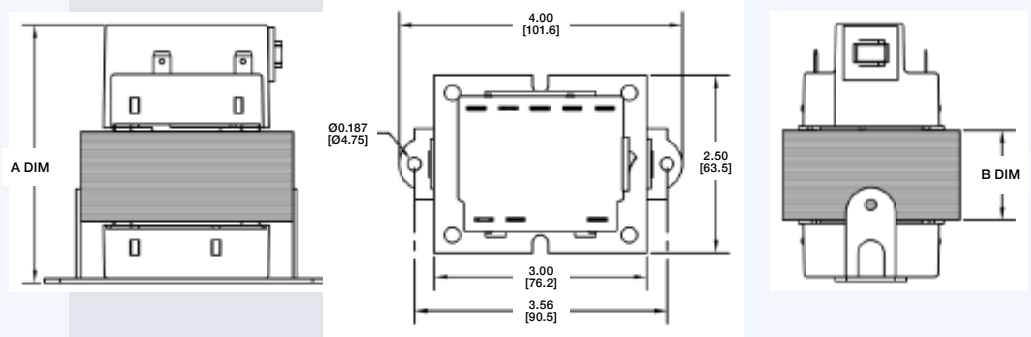
Color	Black	White	Red	Orange	Brown	Black/Red	Grey
Lead Length	12"	12"	12"	12"	12"	12"	12"
Strip Length	1/2"	1/2"	1/2"	1/2"	1/2"	1/2"	1/2"

Color	Blue	Yellow
Lead Length	12"	12"
Strip Length	1/2"	1/2"

#### Dimensions (inches [mm]) Quick Connect Models

<b>A DIM</b>	3.30	3.45
<b>B DIM</b>	1.00	1.15

J resembles circuit breaker and  
H resembles internal fuse



MeK-Tronics can design different types of transformers not listed in the above sheet. 847.598.3550 | [www.mek-tronics.com](http://www.mek-tronics.com)